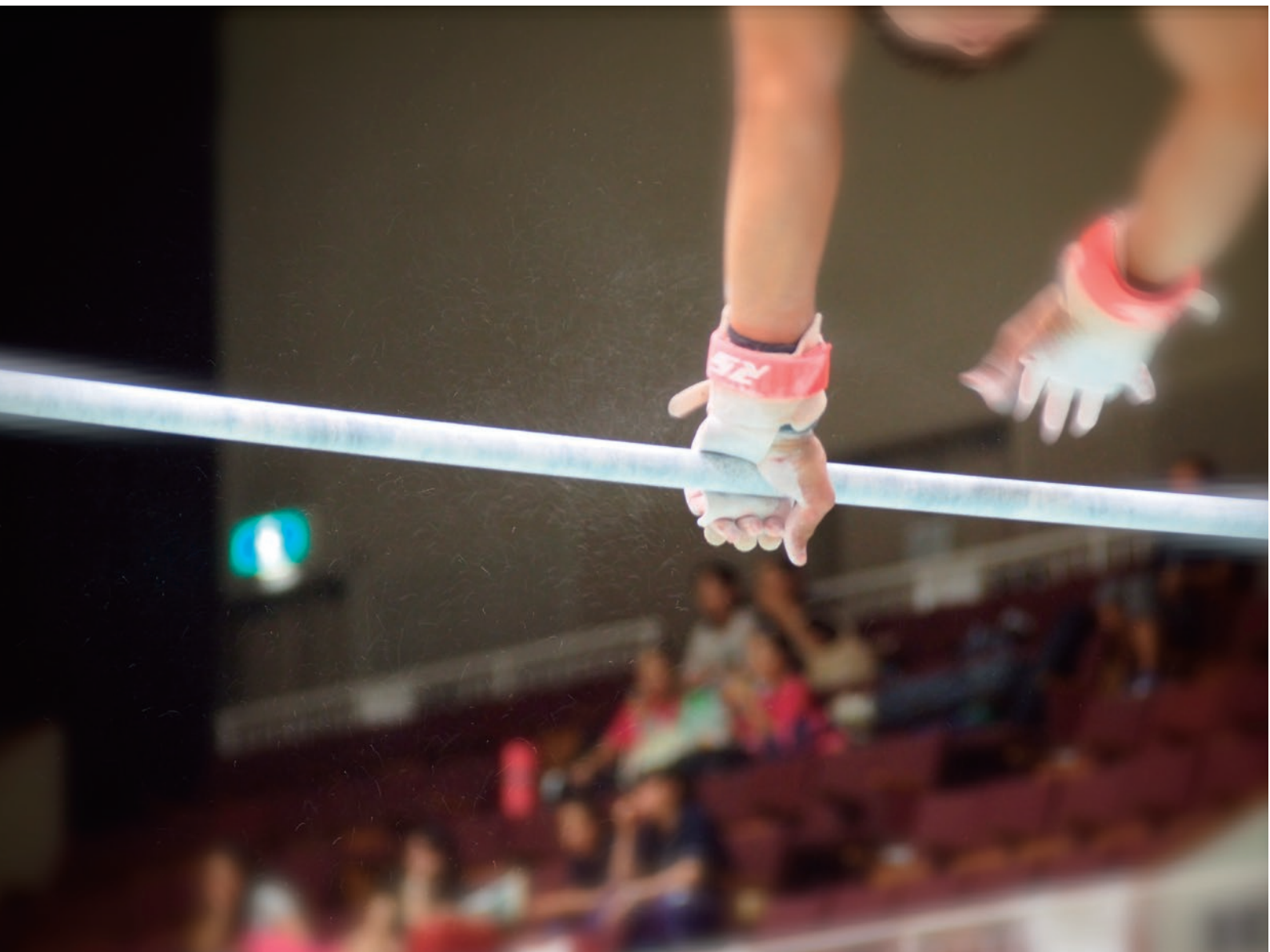


# Gymnastics Product Guide

The **One** - It's **Original** Concept and Your **Only** One



---

## INDEX

---

2	Introduction
3-13	Apparatus for Competition
14	Miscellaneous Items for Competition
15-19	Equipment for Training/Practice
20	Floor Apparatus & Transporter
21-22	Educational Model
23	Apparatus List for Competition
24	Rhythmic Gymnastics
25	Trampoline

---

# The Best **Quality** for Your Best Performance

Senoh's Gymnastics Expertise is cultivated from its history since 1948 and we are one of the long standing company approved by FIG.

From top competitions to school education, the products lineup with the highest standards can fulfill a wide range of requirements.

Senoh is proud of providing customers with the best quality that is absolutely safe and has a long life.



1948

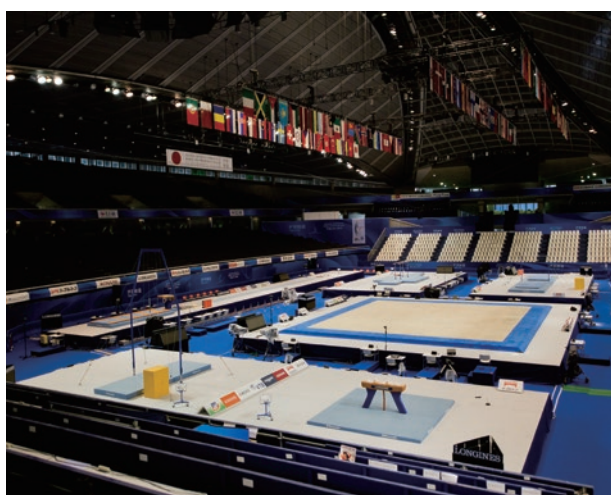


1979

FIG ART World Cup Series



2011



2011

FIG ART World Cup Series

# Apparatus for Competition



## AH045000 Official Spring Floor

FIG approved

Carpet face with Nylon tuft overlay, dividable into 3 and flatly interlocked by Velcro  
TH14mm, L14.6 x W4.0m x 1pc, L14.6 x W5.3m x 2pcs

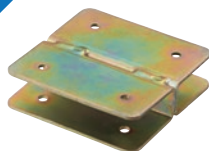
Middle cushion of EVA foam made, with high durability  
TH40mm, L2.032 x W1.111m x 91pcs ( Interlock type )

Under cushion of low density foam made, with high durability, flexibility, and soft touch  
TH20mm, L2.032 x W1.111m x 91pcs ( Interlock type )

Intensified elastic spring panel  
TH128mm  
L2.4 x W1.2m x 50pcs, L2.4 x W1.0m x 18pcs, L2.2 x W1.0m x 4pcs



Senoh's  
Technology



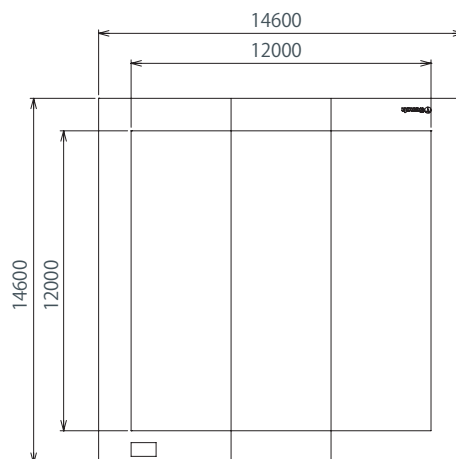
### Elastic panel joint

Easy to joint each panel by simply insert the panel into joint fitting and drop the joint pin to make the position.

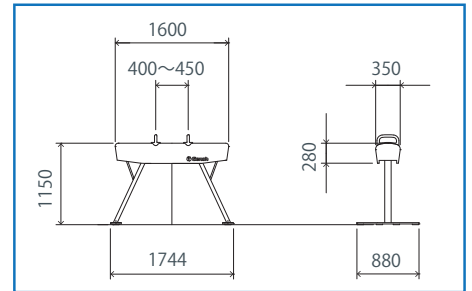
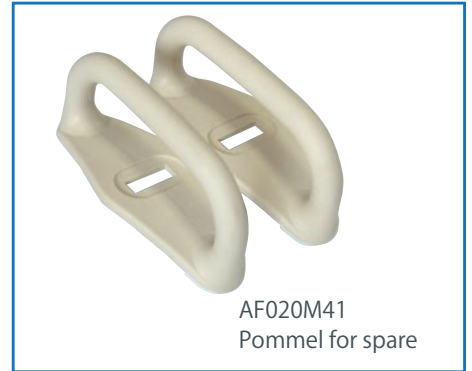


### Fasten Mechanism

When panel positioning is set, tighten the fasten metal. Whole exercise area will be firm with no play between panels.



## Apparatus for Competition



### AF021262 Official Pommel Horse

FIG approved

Covered with cowhide leather body

Detachable pommel of hygroscopic plastic made

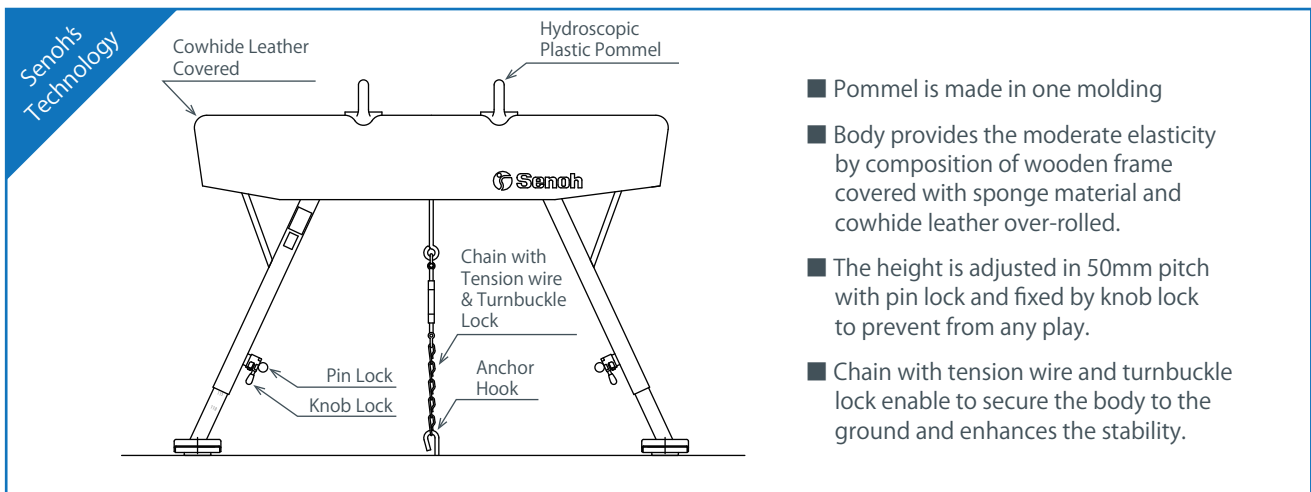
Tension wire and turnbuckle lock

Height adjustable diagonal leg stand H1100-1400mm ( Increments of 50mm )

Body L1600 x W350mm

### ( Spare Parts )

AF020M41 : Pommel for spare ( sold in pair )



- Pommel is made in one molding
- Body provides the moderate elasticity by composition of wooden frame covered with sponge material and cowhide leather over-rolled.
- The height is adjusted in 50mm pitch with pin lock and fixed by knob lock to prevent from any play.
- Chain with tension wire and turnbuckle lock enable to secure the body to the ground and enhances the stability.

# Apparatus for Competition



## AB034000 Official Ring Frame with Hook

FIG approved

Φ76.3mm special steel tube frame constructions

Telescopic height adjustable 5650-5900mm  
( Increments of 50mm )

Equipped with one pair of official rings

Complete with rotating apparatus

φ6mm vinyl covered tension wire ropes,  
tester & turnbuckle locks

Ring: 28mm laminated wood, plastic resin injected  
( internal Φ185mm )

With 35mm width reinforced strap belt

Distance between two rotating apparatus: 500mm

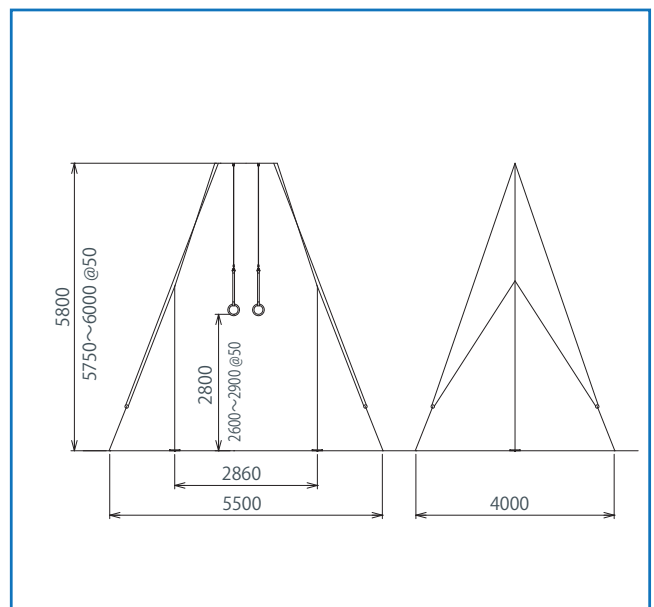
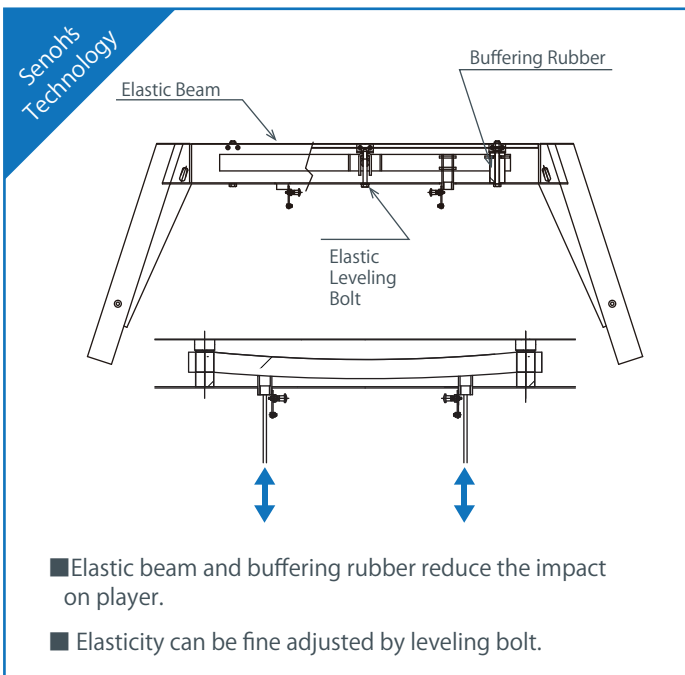
## ( Spare Parts )

AB030M88 : Ring + Belt + Wire for spare  
( sold in pair )

AB030M72 : Tension wire ( sold in pair )



AB030M88  
Ring + Belt + Wire for Spare



## AE050000 Official Vaulting Table

FIG approved

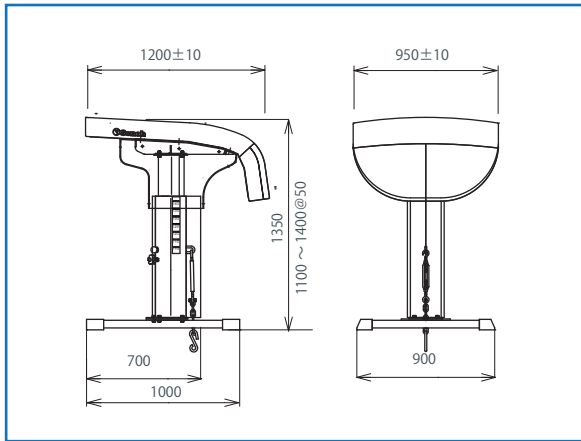
Fitted with special padding and uniformed cushion of elastic elements

Covered with synthetic leather body

With tension wire and turnbuckle lock

Height Adjustment: H1100-1400mm  
(Increments of 50mm)

Body: L1200 x W950mm



### IDEAL ELASTICITY

New structure design and moderate cushioned table covered by synthetic leather provide ideal elasticity and impact reduction.

### EASY OPERATION

The height is easily adjusted in 50mm pitch by knob lock to prevent from any play.

### EXCELLENT STABILITY

By connecting the anchor hook to the turnbuckle inside, body stability is enhanced.



※AE050000

# Apparatus for Competition

## AC020000 Official Parallel Bars

FIG approved

Heavy duty steel base construction

With double handle lock system

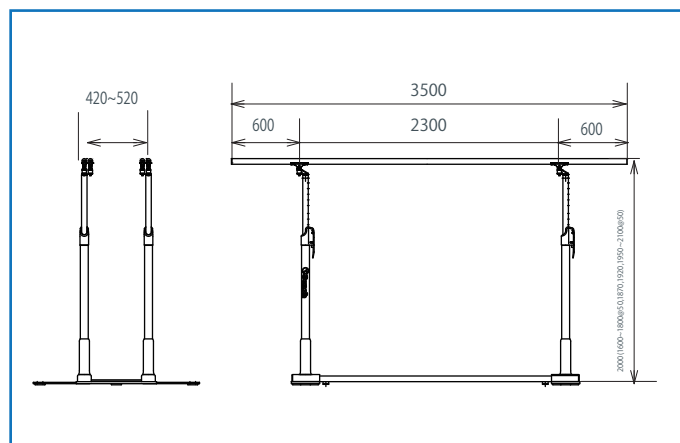
Height adjustable 1600-2000mm

Wooden laminated FRP bar

## ( Spare Parts )

AC020M01 : Bars for spare ( sold in pair )

AC015002 : Base adaptor ( set of 4 )  
required if floor apparatus is not used



### IDEAL GRIP

FRP made bar with laminated wood cover increases strength, elasticity, and absorbency, and also helps to prevent slipping from the bar.

### EASY OPERATION

Double lock system with pin and handle enables easy and secure height adjustment.



AC015002 Base Adaptor

### EXCELLENT STABILITY

New structure design provides more stability.

# Apparatus for Competition



## AA053000 Official Horizontal Bar

FIG approved

Height adjustable 2600-2900mm  
( Increments of 50mm )

Bar with wire cord,  $\varphi$  28mm Nickel chrome-molybdenum steel of L2400mm between pivots, X-ray inspected

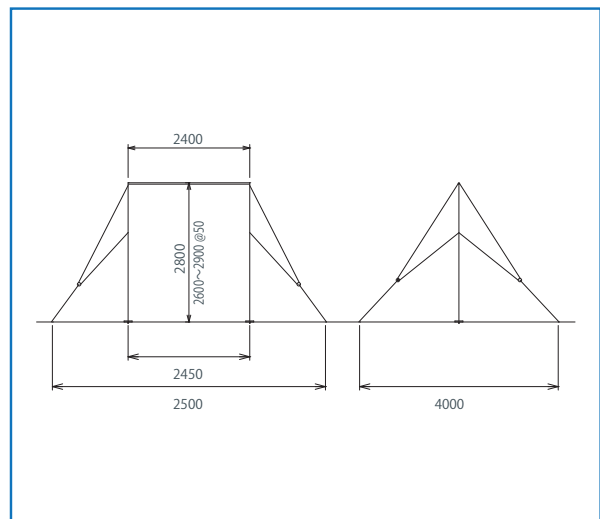
End bar of free bounce universal pivot

Inner tube of Special steel, chromium plated

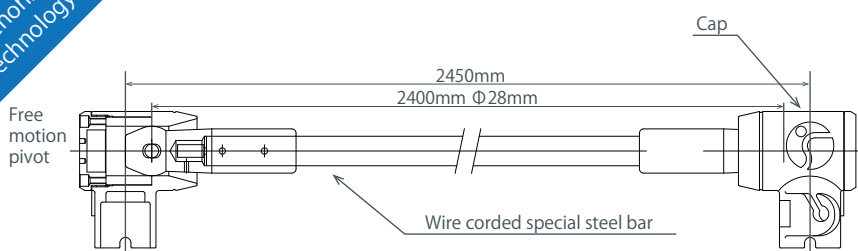
## ( Spare Parts )

AA050M70 : Tension wire for spare  
( sold in set )

AA050M90 : Bar for spare



Senoh's  
Technology

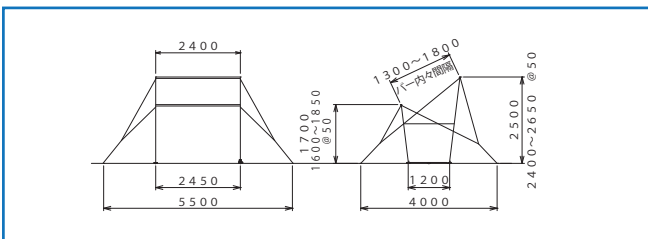


- Special made bar just only for Horizontal bar.
- Bar is wire corded and made by Chrome-nickel molybdenum steel.
- Adapts a free motion pivot to disperse the bar's bouncing in 360 degree.

# Apparatus for Competition

## AD022000 Official Uneven Bars

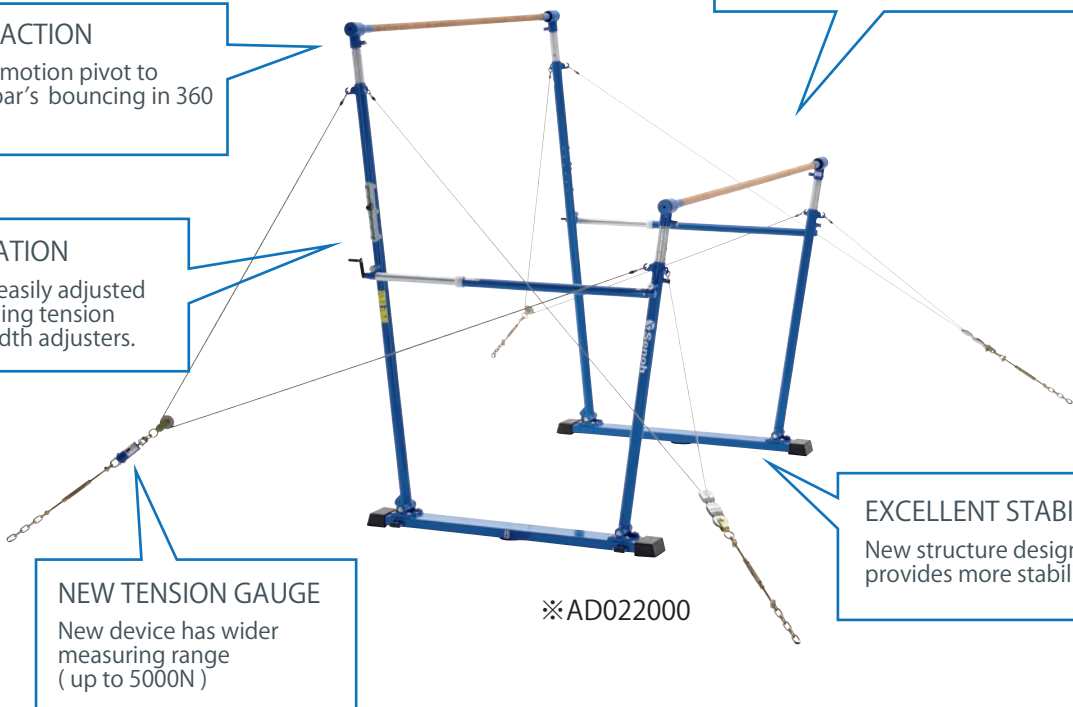
- FIG approved
- Heavy duty steel construction, complete with tension wire ropes
- Width adjuster, tension adjuster and turnbuckle lock
- Height adjustable  
2400-2650mm at upper bar, 1600-1850mm at lower bar
- Wooden laminated FRP bar in L2400mm between free bounce universal pivots



**IDEAL GRIP**  
FRP made bar with laminated wood cover to increases strength, elasticity, and absorbency, and also helps to prevent slipping from the bar.

**PERFECT REACTION**  
Adapts a free motion pivot to disperse the bar's bouncing in 360 degree.

**EASY OPERATION**  
The height is easily adjusted just by loosening tension cables and width adjusters.



**NEW TENSION GAUGE**  
New device has wider measuring range (up to 5000N)

**EXCELLENT STABILITY**  
New structure design provides more stability.

※AD022000

## ( Spare Parts )

- AD020P20 : Bar for spare
- AD020P10 : Tension wire for spare ( sold in set )
- AD020P09 : Width adjuster ( sold in pair )
- AD201000 : Width measurer



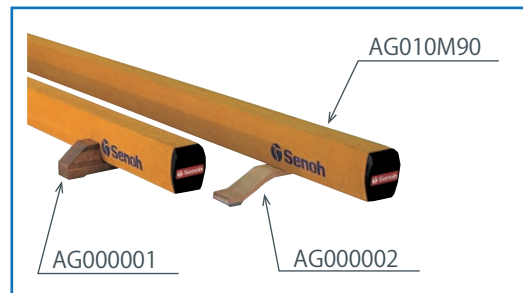


## AG013162 Official Balance Beam

FIG approved

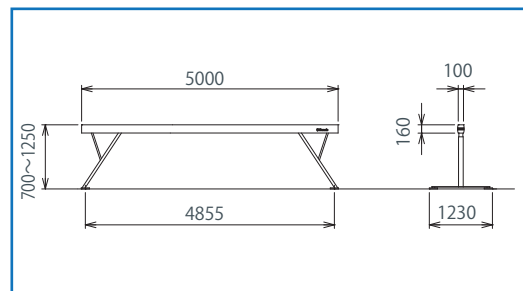
Height adjustable 700-1250mm ( Increments of 50mm )

Beam L5000 x 100mm fitted with uniformed cushions in three layers under the synthetic leather cover and above the aluminum beam base with protection end cap

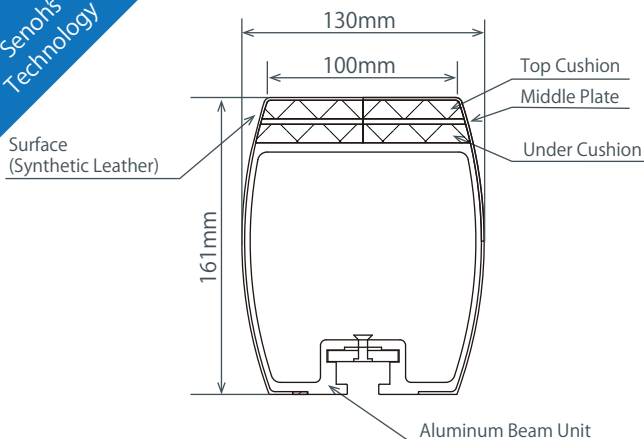


## ( Spare Parts )

AG010M90 : Beam for spare



Senohs  
Technology



- 3 layers buffering mechanism. 2 different densities of cushions with a middle plate in between create the comfortable buffering effect while maintaining the moderate hardness on surface.
- Middle plate is in one unit without any joint, provides the homogeneity in cushion at any place on beam.
- Aluminum beam is covered by one high quality synthetic leather with the end caps attached on both the end of beam.



## AM70-76 , AM73 Official Landing Mat "EV"

FIG approved

Unique multiplex structure composed with EVA forms and multi-density urethane forms in high quality

Meets all requirements of mats in terms of its shock absorbcency, flexibility, landing stability, safety, and durability

Covered by non-slip material with the top of mats having all in one sheet with no joints

Having more in detachment strength, tear strength, pulling strength, wear resistance, and the cold-resistant performance

Senohs  
Technology

### What's good about EVA ?

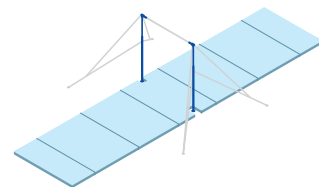
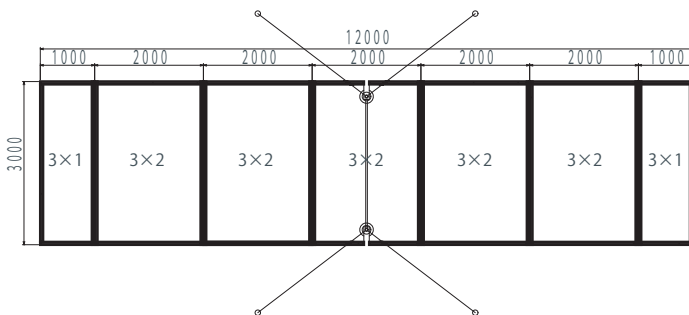
Eco Friendly	Because EVA does not contain such chlorine as polyethylene does, EVA does not expose dioxin when burning it up.
High Elasticity	EVA is superior even in a low temperature. It is not tense at the cold temperature, and still maintains superior in elasticity.
Light weight	Specific gravity is small and is very light weight in comparison with vinyl chloride and the rubber.
Long durability	EVA is superior in the durability, and hard to deteriorate even in continue taking wind, rain, and ultraviolet rays.

### Multiplex structure of Landing Mat

Total of 200mm

FORM	Density	Thickness
EVA	Moderate	40mm
Urethane	High	80mm
Urethane	High	80mm

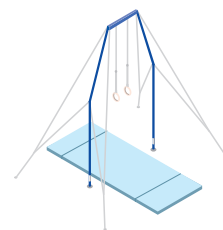
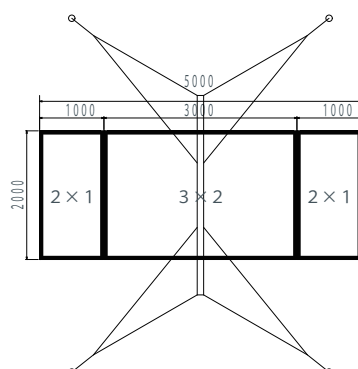
## AM702000 Official Landing Mat "EV" for Horizontal Bar



3000 x 2000 x TH200mm, 5pcs

3000 x 1000 x TH200mm, 2pc

## AM712000 Official Landing Mat "EV" for Rings



2000 x 3000 x TH200mm, 1pc

2000 x 1000 x TH200mm, 2pcs

# Apparatus for Competition

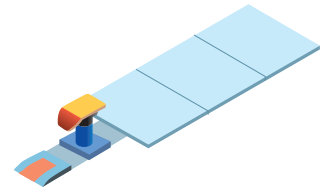
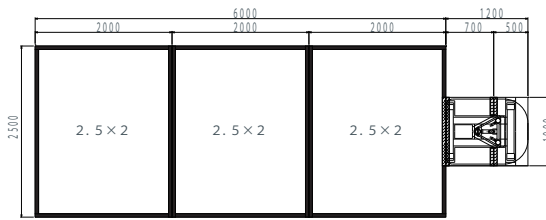
## AM723000 Official Landing Mat "EV" for Vault

2500 x 2000 x TH200mm, 3pcs

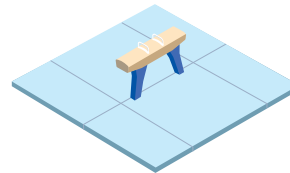
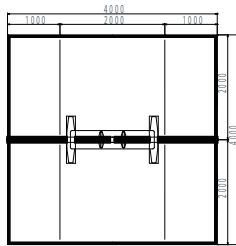
1000 x 700 x TH200mm, 1pc

1000 x 500 x TH200mm, 1pc

※ Include basemnt cover for Vault



## AM732000 Official Landing Mat "EV" for Pommel Horse



4000 x 2000 x TH100mm  
(3 fold type)

## AM742000 Official Landing Mat "EV" for Parallel Bars

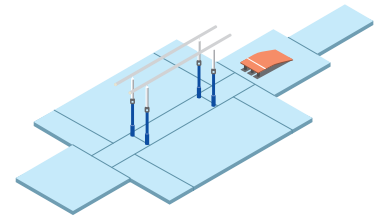
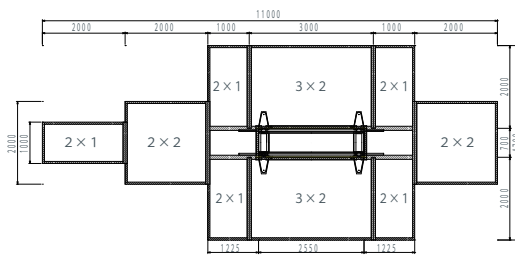
2000 x 3000 x TH200mm, 2pcs

2000 x 2000 x TH200mm, 2pcs

2000 x 1000 x TH200mm, 5pcs

700 x 2550 x TH200mm, 1pc

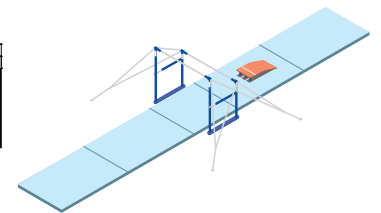
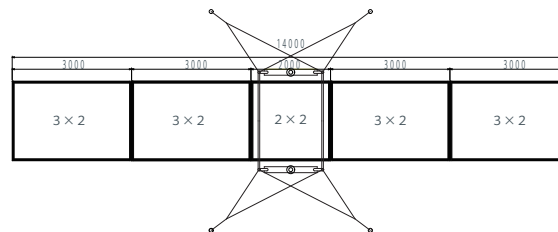
700 x 1225 x TH200mm, 2pcs



## AM752000 Official Landing Mat "EV" for Uneven Bars

3000 x 2000 x TH200mm, 4pcs

2000 x 2000 x TH200mm, 1pc



## AM762000 Official Landing Mat "EV" for Balance Beam

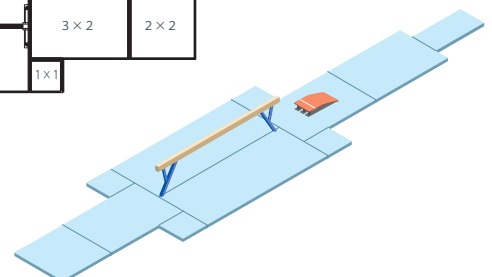
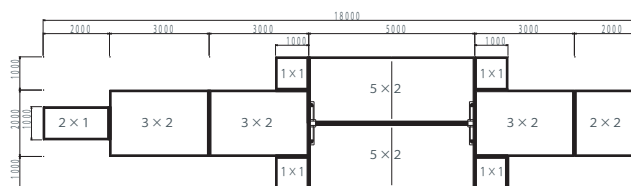
2000 x 5000 x TH200mm  
(2 fold type)

2000 x 3000 x TH200mm, 3pcs

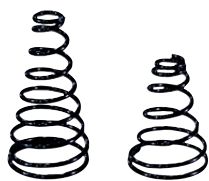
2000 x 2000 x TH200mm, 1pc

1000 x 2000 x TH200mm, 1pc

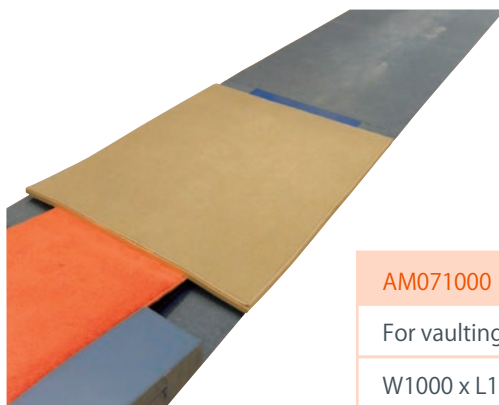
1000 x 1000 x TH200mm, 4pcs



# Apparatus for Competition



AJ070A01 Short Spring
L 120mm
AJ070A02 Long Spring
L 150mm

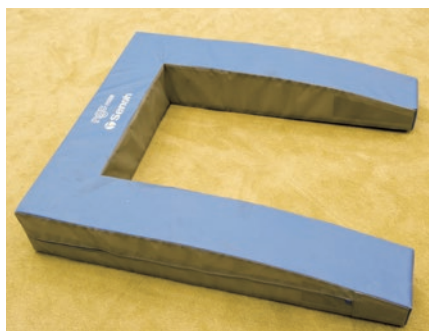


AM071000 Mat for Hands
For vaulting board
W1000 x L1200 x T28mm

AJ0700H Official Vaulting Board "Hard"
FIG approved
H220 x L1200 x W600mm
With 8 springs positions 3-3-2
Dot of dia. 8cm can be marked as per request
AJ0700S Official Vaulting Board "Soft"
FIG approved
H220 x L1200 x W600mm
With 6 springs positions 3-1-2



AK012062 Runway
W1000mm x L27.4m x TH18mm
Cushion below carpet face
Attached with Velcro tape



AM060762 Supplementary Mat
Additional landing mat for vaulting
W2000 x L6000 x T100mm

AT911582 Safety Collar
For vaulting board protection
W1015 x L1200 x T210mm



AM060XXX Supplementary Mat
Additional landing mat for vaulting
AM060062 : W2 x L2m x TH100mm
AM060162 : W2 x L2m x TH50mm
AM060262 : W2 x L4m x TH100mm

AM720M40 Base Mat
W1000 x L1200 x H200mm

## Miscellaneous Items for Competition



AS421000 Electric Scoreboard

Rotating double face display

Body: H1900 x L890 x W580mm

Display: H570 x L890 x W170mm

Letter height: 120mm, 220mm

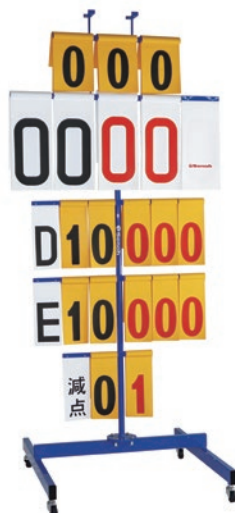
LED 7 segment system

Inlaid operation panel with auto-off function

Chargeable battery or AC100V

Voltage adjusted as per request

\*Japanese market only



AS070000 Manual Scoreboard

Flap type

H2090 x W960mm



AS060000 D. E. Scoreboard

Indicates D and E scores with deduction points

Flap type

H1700 x W780mm



AS103000 Judges Scoreboard

Book type

H210 x L265mm



AS170000 Vaulting Indicator

For vaulting men & women

Flap type

H1500 x W60mm



AT152262 Magnesia Stand

Bowl  $\phi$ 430mm

With Caster

Caster base  $\phi$ 650mm

AT981100 Magnesia

Powder type

# Equipment for Training/Practice



## AH431000 Tambling Floor

W2400mm x L18m

Nylon twist carpet 1pc, Middle cushion 17pcs  
Under cushion 17pcs, Elastic panel 15pcs

AH430062: spring type

AH411062: sponge type



## AF202000 Training Round Horse

Φ970 x H800mm

Detachable leg



## AF212000 Training Round Horse

Φ650 x H800mm

For Junior use

## AF210M20 Head with Pommel

Φ650mm  
(without stand)



## AF210300 Training Round Horse

Φ500 x H50mm,  
set of 3pcs

Height adjustable  
(50, 100, 150mm)

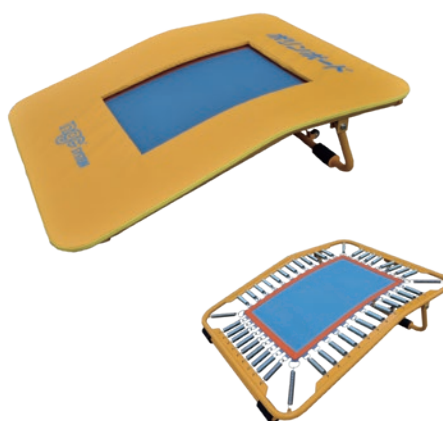


## AE920000 Practice Vaulting Box

Urethane foam made, covered  
by tarpaulin

W800 x L1000 x H1250mm

Set of 4 boxes



## AJ905100 Poline Board

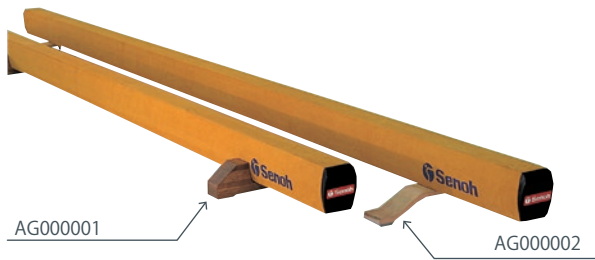
Spring board for vault practice

Frame: W1100 x L1500 x H380mm  
Bed: W600 x L900mm

Front height changeable  
(380, 410, 440mm)

With caster

## Equipment for Training /Practice



**AG000001 Beam Base**

Wooden fitted type

**AG000002 Beam Base**

Laminated wooden elastic type



**AG935000 Shock Absorption Mat**

EVA foam covered with synthetic leather

W980 x L980 x TH12mm

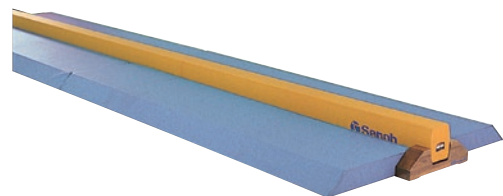
Multipurpose for balance beam, vault, parallel bars, and landing for hands



**AG910000 Protection Beam Pad**

EVA foam cored polyurethane covered with polyester

W110 x L1600 x TH20mm



**AT910782 Low Platform Beam Set**

EVA foam cored polyethylene covered with tarpaulin

W500 x L4800 x TH100mm



**AG310000 Flat Training Beam**

W100 x L5000 x TH14.4mm

Two foldable L2500m



**AT910500 Platform for Balance Beam**

EVA foam cored polyethylene covered with tarpaulin

W600 x L1500 x H1040mm

Sold in pair



**AT910600 Spotting Block**

For balance beam ( multi use )

Styrene foam with EVA and EVA urethane, covered with tarpaulin

W1230 x L1830 x H550mm



### AD910XXX Bar Pads for Parallel & Uneven Bars

AD910582 : L300mm	AD910882 : L1000mm
AD910682 : L500mm	AD910982 : L1200mm
AD910782 : L600mm	



### AT102000 Hand Standing Bars

Grip $\Phi$ 36mm
W150 x L250 x H122mm
Sold in pair



### AB210300 Training Rings

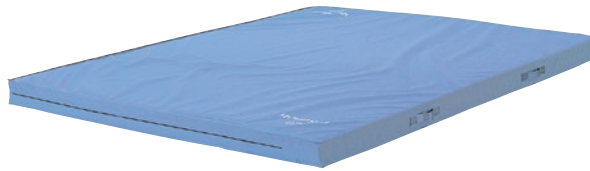
Horizontal bar suspension device
Ring H450mm at H2800mm of horizontal bar
W500mm
For hand stand and leveling position practice
Sold in pair



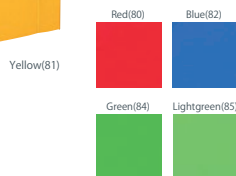
<b>AN905X82 Soft Mat 200</b>
Core: high density urethane Cover: polyester double knit
AN905082: W2 x L3m x TH200mm
AN905182: W1.5 x L2m x TH200mm



<b>AN905282 Soft Mat 300</b>
Shock absorption foam covered with polyester double knit
W2 x L3m x TH300mm



<b>AM930X82 Soft Mat 90</b>
Tarpaulin cover
AM930082: W1.5 x L2m x TH90mm
AM930182: W2 x L3m x TH90mm



<b>AT9100XX Spotting Block</b>
Styrene foam with EVA, covered with tarpaulin
W630 x L1050 x H800mm



<b>AT320000 Spotting Block</b>
Styrene foam with urethane, covered with vinyl leather
W700 x L1000 x H600mm



## AZ040000 Training Pit NGC System

Landing pit is composed with 2 layers of

- 1) 60cm upper high-density pit mat with double-knit cover
- 2) Multiple cushioning materials lower base

### \* Characteristics

- Achieves Uniform sinking across the entire surface by combining different types of cushions
- Excellent durability and landing impact absorption
- Custom logo printing available on the surface



## CA400400 Pit Trampoline

Canvas bed: W3700 x L1780mm, mesh type

Suspension: rubber cables

Frame size: W4610 x L3010mm



## AN901082 Mat for Pit

12 layered foam

W2 x L3m x TH120mm

Also usable as landing mat

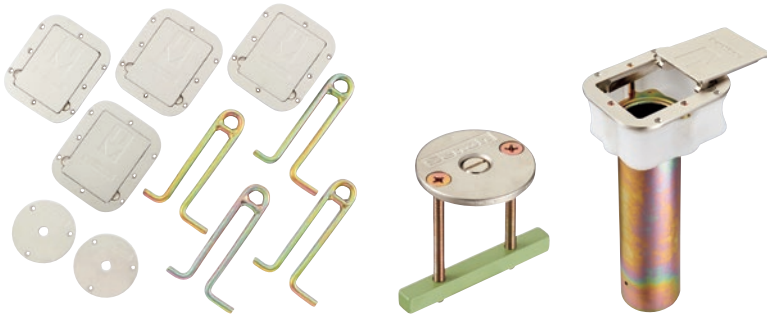


## AN905382 Mat for Pit

Double knit cover

W2 x L3m x TH600mm

# Floor Apparatus & Transporter



KA154100 / KA164100

KA523100

KD024100

## KXXXX Floor Apparatus

Aluminum alloy made

KA155100: for horizontal bar, rings, uneven bars

KA164100: for vault and pommel horse

KA523100: for parallel bars

KD024100: for low horizontal bar



## AP011062 Transporter for Parallel Bars

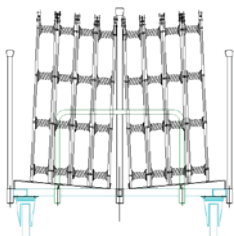
L1130 x H800mm



## AP022162

Transporter for Beam / Pommel Horse / Vault

sold in pair



## AH041100 Transporter for Floor Panels

W1625 x L2500 x H1670mm

Spring panels: 5 carts  
Rhythmic panels: 2 carts



## AP032062 Apparatus Storage Truck

Horizontal, Rings, Uneven Bars are storable in 1 truck

With hook cap

W1050 x L1000 x H1310mm

Color: blue



## AP113000 Cart

W1240 x L2050 x H850mm



## AH040105 Transporter for floor carpet.

W500 x L900 x H160mm

Sold in pair



### AL103X Vaulting Box

8 stepped boxes with elastic padding covered with canvas

AL103000: W1050 x L1200 x H1350mm

AL103100: W900 x L1000 x H1200mm

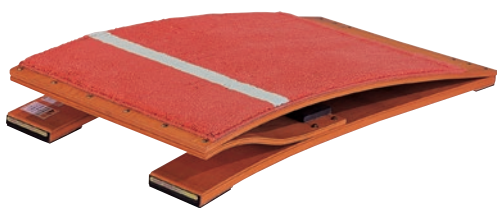
AL103200: W800 x L800 x H1000mm



### AJ051200 Double Flex Springboard

W600 x L1200 x H234mm

Special elastic curved plywood, covered with non-slip turf carpet overlay



### AJ233000 Double Flex Springboard

W600 x L1200 x H175mm

For junior high school education



### AJ902000 Educational Springboard

W550 x L1000 x H200mm

For elementary school education



### AA201SXX Low Horizontal Bar

Upright:  $\Phi$ 60.5mm

Bar:  $\Phi$ 28mm ( cold finished steel )

W2000 x H1000-1500mm

Under floor 250mm



### AN014X Soft Mat

Urethane foam cored, covered with tetrone canvas

With air vents and handles at side

AN014000 : 2 x 3m, TH200mm

AN014100 : 2 x 3m, TH300mm

AN014200 : 2 x 3m, TH400mm



### AM22XX Senoh Mat White

Molded synthetic sponge mat

AM220000: W1.2 x L3m x TH60mm

AM220100: W1.2 x L6m x TH60mm

AM220200: W1.5 x L3m x TH60mm

AM220300: W1.5 x L6m x TH60mm

### AM14XX Senoh Mat Blue

Molded synthetic sponge mat

AM140000: W1.2 x L3m x TH60mm

AM140100: W1.2 x L6m x TH60mm

AM140200: W1.5 x L3m x TH60mm

AM140300: W1.5 x L6m x TH60mm



### AM91XX Landing Mat

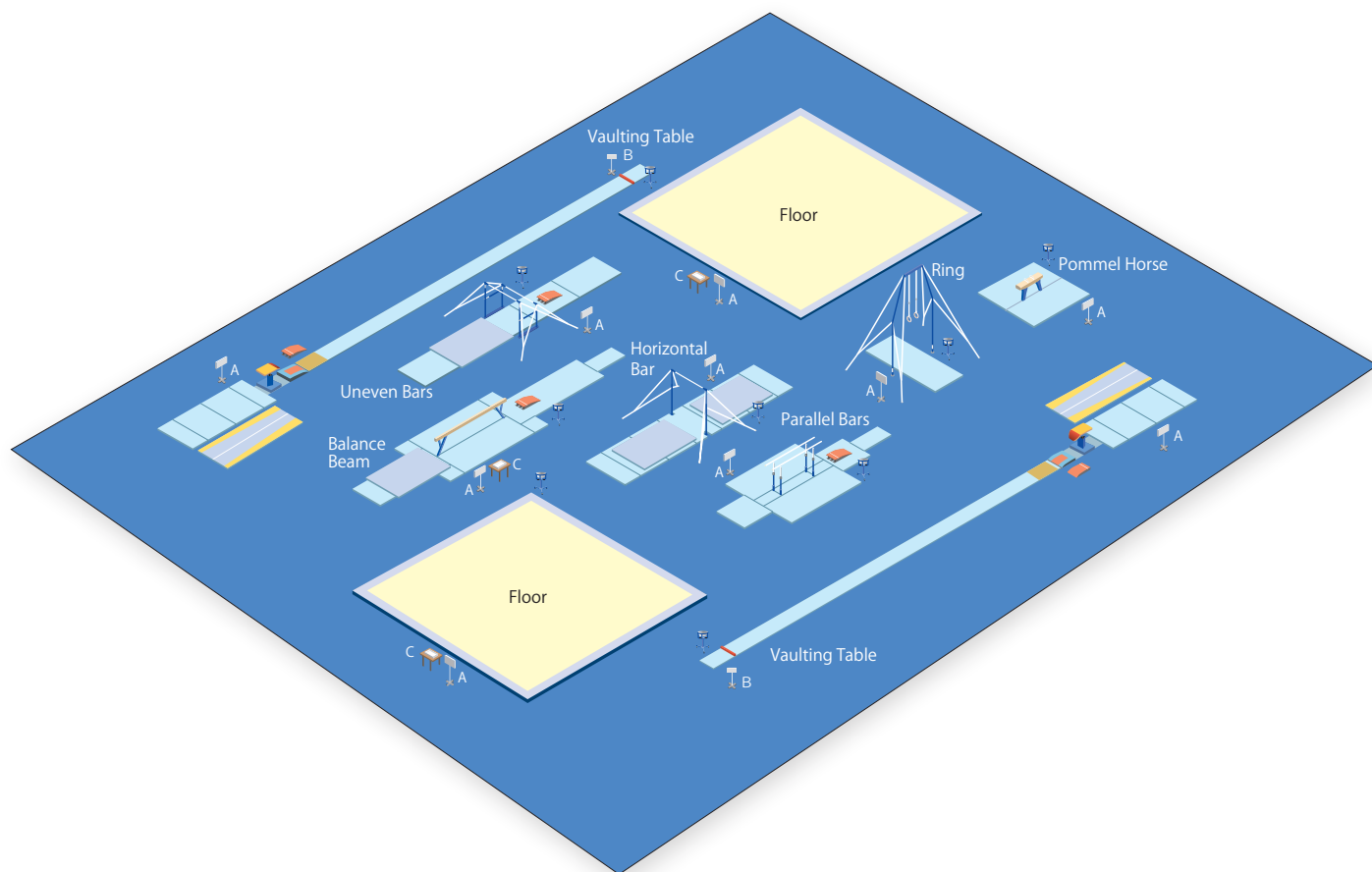
Polyester canvas cover, reversible

EVA foam and high density urethane

AM910000: W2 X L3m x TH70mm

AM910100: W1.5 X L2m x TH70mm

# Apparatus List for Competition

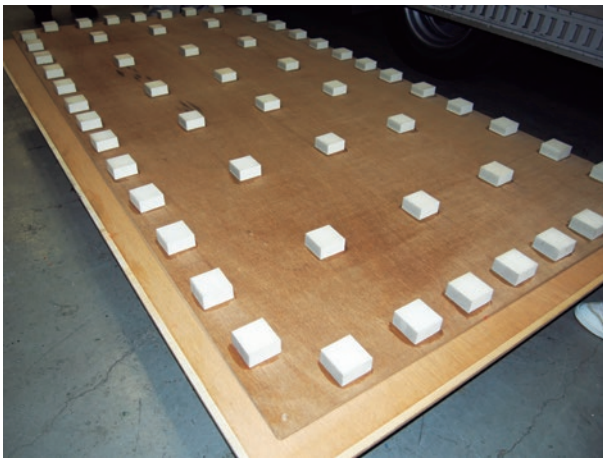


Item Code	Item	Page	QTY
AH045000	Floor	P.3	2
AF021262	Pommel Horse	P.4	1
AM5370/AM7320	Landing Mat for Pommel Horse	P.14/12	1
AB034000	Rings	P.5	1
AM5160/AM7120	Landing Mat for Rings	P.13/11	1
AE050000	Vault	P.6	2
AM527000/AM723000	Landing Mat for Vault	P.14/12	2
AM060762	Supplementary Mat for Vault	P.13	2
AJ070000	Vaulting Board	P.13	4
AK012062	Runway for Vault	P.13	2
AT911582	safety collar	P.13	2
AM071000	Mat for Hands	P.13	2
AC020000	Parallel Bars	P.7	1
AM5480/AM7420	Landing Mat for Parallel Bars	P.14/12	1
AJ070000	Vaulting Board	P.13	1
AA053000	Horizontal Bar	P.8	1
AM5060/AM7020	Landing Mat for Horizontal Bar	P.13/11	1
AM060262	Supplementary Mat	P.13	1
AD022000	Uneven Bars	P.9	1
AM5560/AM7520	Landing Mat for Uneven Bar	P.14/12	1
AM060262	Supplementary Mat	P.13	1
AJ070000	Vaulting Board	P.13	1
AG013162	Balance Beam	P.10	1
AM5660/AM7620	Landing Mat for Balance Beam	P.14/12	1
AM060262	Supplementary Mat	P.13	1
AJ070000	Vaulting Board	P.13	1

Item Code	Item	Page	QTY
AS421000	Scoreboard	A P.14	10
AS070000	Scoreboard	A P.14	10
AS060000	Scoreboard	A P.14	10
AS170000	Vaulting Indicator	B P.14	2
AT152262	Magnesia Stand	P.14	10

	Height from floor
Pommel Horse	1150mm
Rings	2800mm
men Vault	1350mm
Parallel Bars	2000mm
Horizontal Bar	2800mm
Uneven Bars	1700mm, 2500mm
women Balance Beam	1250mm
Vault	1250mm



## AH065100 Official Rhythmic Gymnastics Floor

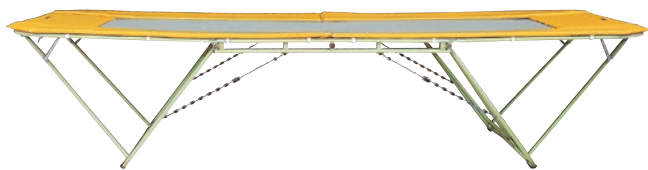
FIG approved

Carpet face with nylon tuft overlay  
4000 x 14500 x TH8mm, 2pcs  
3250 x 14500 x TH8mm, 2pcs

EVA foam under cushion  
2000 x 14000 x TH5mm, 7 rolls

Intensified elastic sponge panel  
2334 x 1167 x TH42mm, 72pcs

# Trampoline



## CA201100 Regulation Trampoline

Mesh bed: 3700 x 1780mm

Suspension: rubber cables 100pcs

Frame size: W2750 x L4600 x H1000mm

Folding size: W810 x L2970 x H1985mm

User's weight limit: 80kg

## CA211100 Regulation Trampoline

CA2011 with supplemental frame

Frame size: W3000 x L4600 x H1000mm

Folding size: W810 x L3050 x H1985mm



## CB100000 Sportsman Trampoline

Use for small children

Canvas bed: 1700x 1125mm

Suspension: rubber cables

Frame size: W1690 x L2150 x H600mm

With cart

User's weight limit: 30kg



## AT064000 Mini Trampoline

Canvas bed: 650 x 710mm

Suspension: rubber cables

Frame size: W1140 x L1140

Angle adjust 3", 7" or 10"

User's weight limit: 80kg



## CA601100 Little Giant Trampoline

For educational use

Mesh bed: 2910 x 1470mm

Suspension: rubber cables 78pcs

Frame size: W2260 x L3630 x H860mm

Folding size: W810 x L2400 x H1690mm

User's weight limit: 60kg



## CR010000 Soft Trampoline

Use for small children and the challenged persons

Mesh bed: 2910 x 1470mm

Suspension: rubber cables 78pcs

Frame size: W2220x L3660 x H600mm

Folding size: W1020 x L2500 x H1320mm

User's weight limit: 120kg



## CE120000 Spotter Mat

Urethane form with Polyester Canvas coner.

W1000 x L1700 x H120mm



**SENOH Corporation**

250 Matsuhidai, Matsudo-shi, Chiba 270-2214, Japan

TEL : 81-47-386-5807      Email : intl-1@senoh.co.jp

<https://www.senoh.jp>

---